



VILLAGE OF RUIDOSO
 313 Cree Meadows Drive
 Ruidoso, NM. 88345
 575-258-6999, Fax 575-258-4367
 www.ruidoso-nm.gov



Single Family Residential Patio Covers & Carports

Building Guide

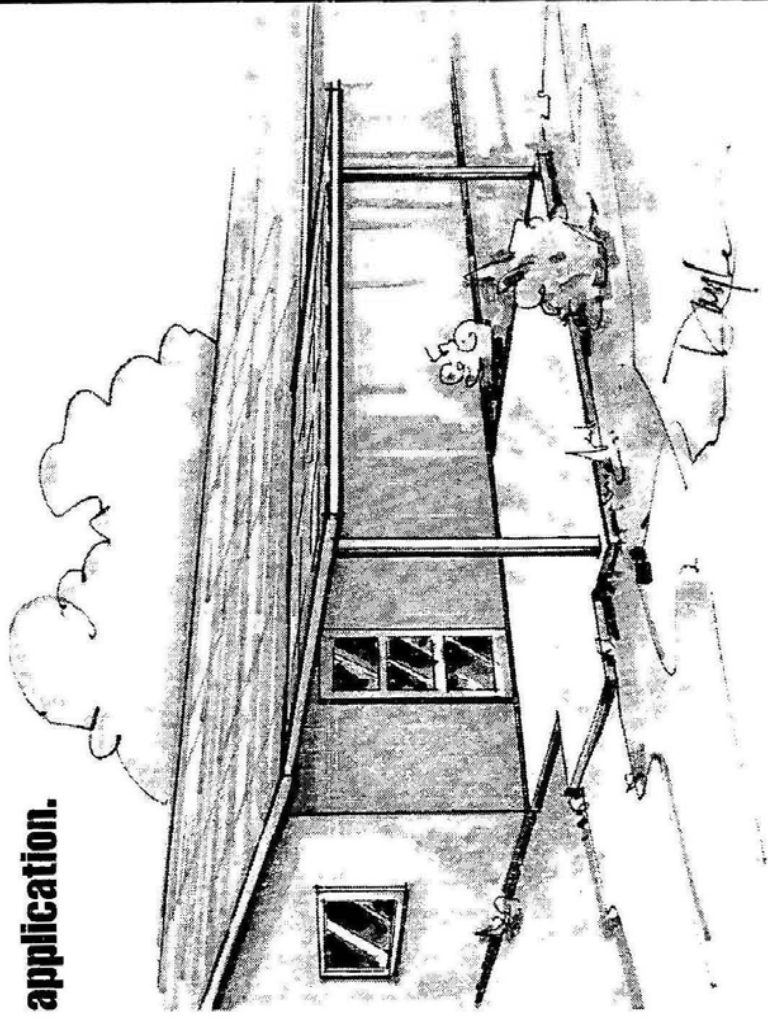
How to Use this Guide

Provide two sets of the required documents and complete the following:

- 1 Complete this Building Guide** by filling in the blanks on page two, and indicating which construction details will be used.
- 2 Provide 2 Plot Plans** (site plan) showing dimensions of your project or addition and its relationship to existing buildings or structures on the property and the distance to existing property lines drawn to scale. Provide well and septic locations

3 Fill out a building permit application.

The majority of permit applications are processed with little delay. The submitted documents will help determine if the project is in compliance with building safety codes, zoning ordinances and other applicable laws.

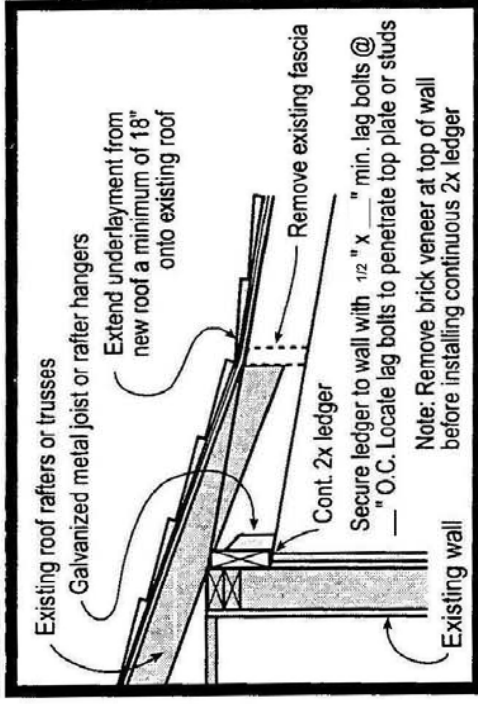


NAME:
ADDRESS:
PHONE:
PERMIT NUMBER:

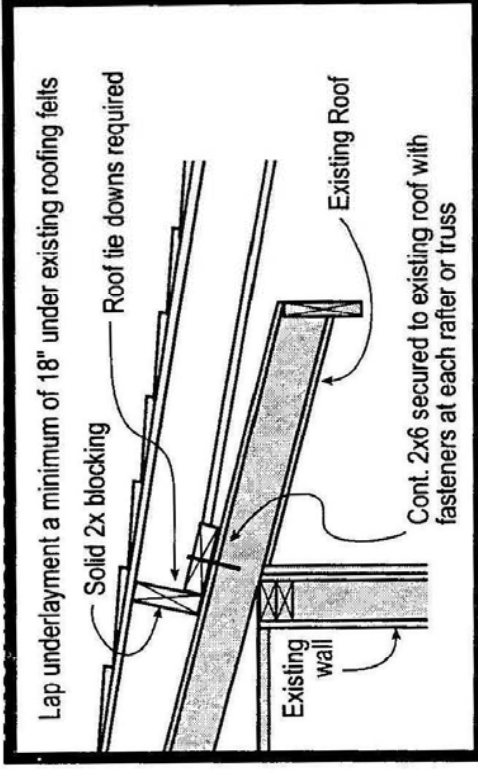
--

Single Family Residential Patio Covers & Carports

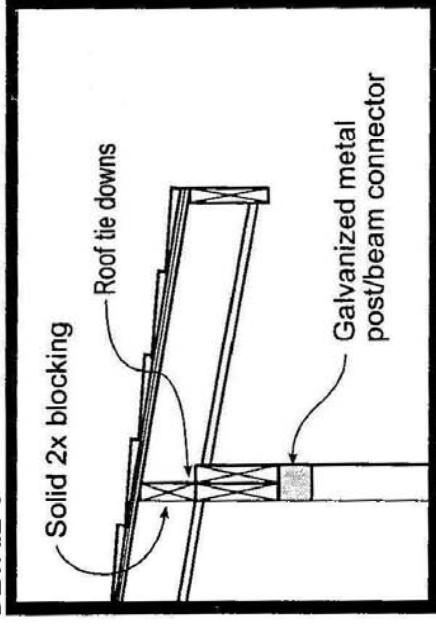
DETAIL A



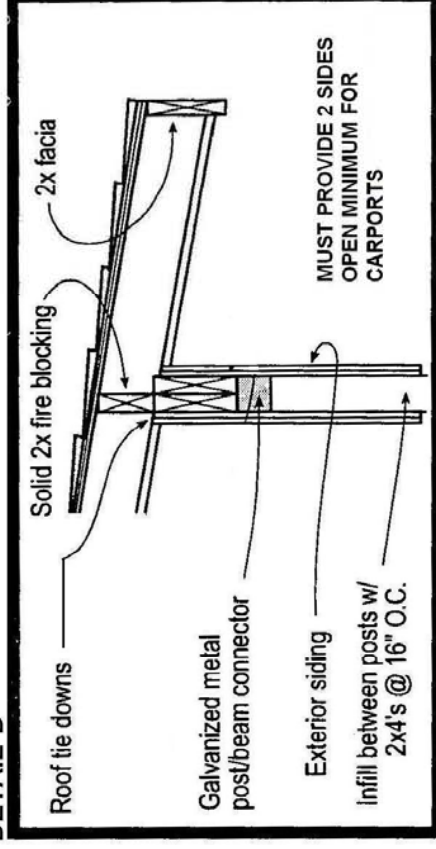
DETAIL B



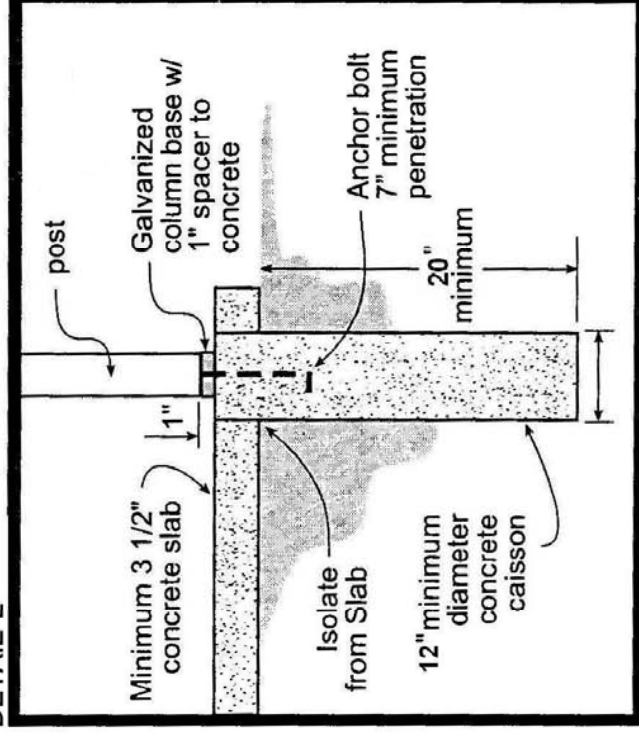
DETAIL C



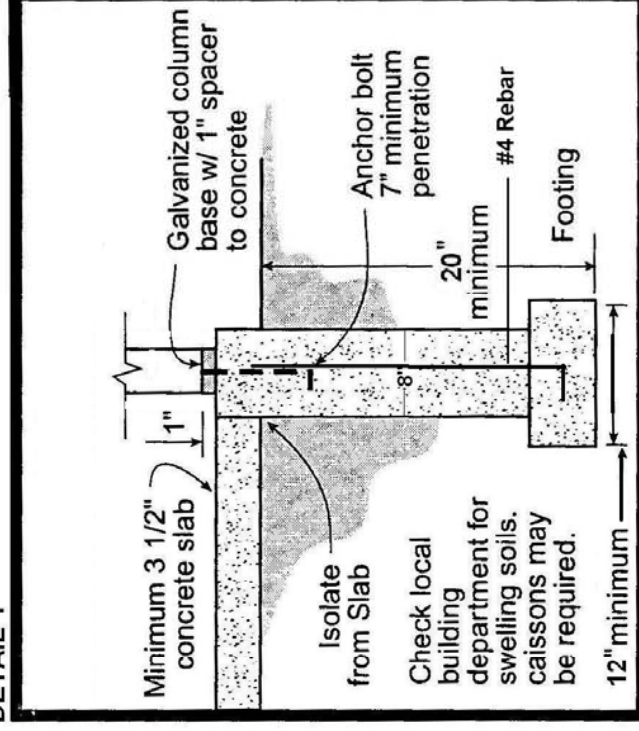
DETAIL D



DETAIL E



DETAIL F



NAME:

ADDRESS:

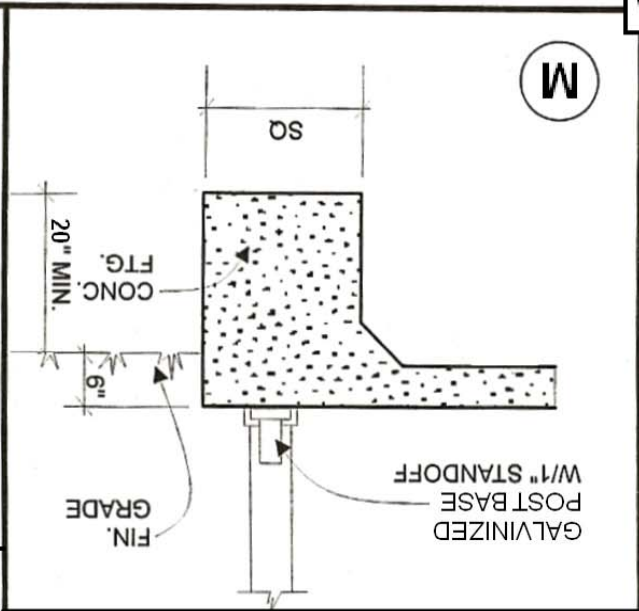
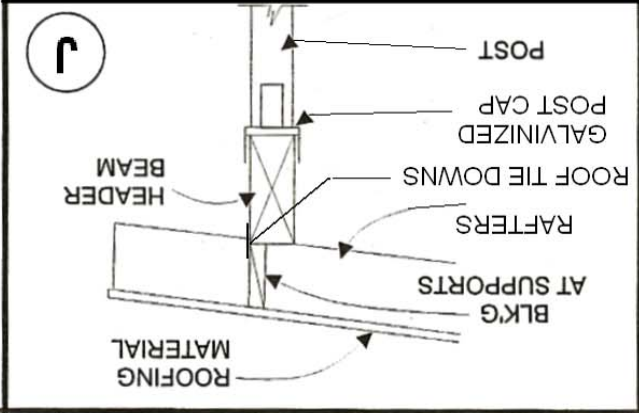
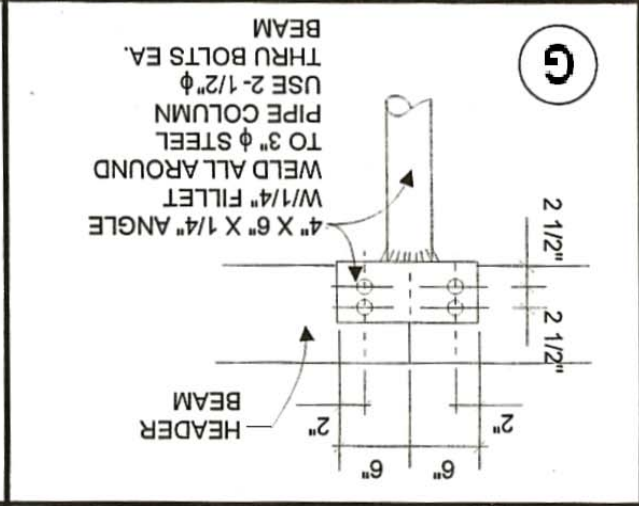
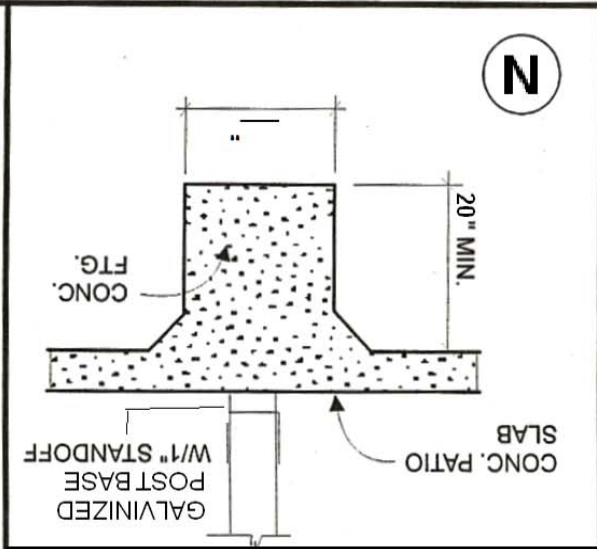
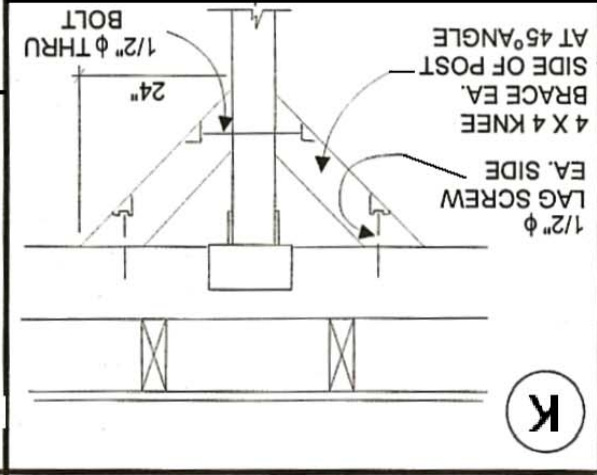
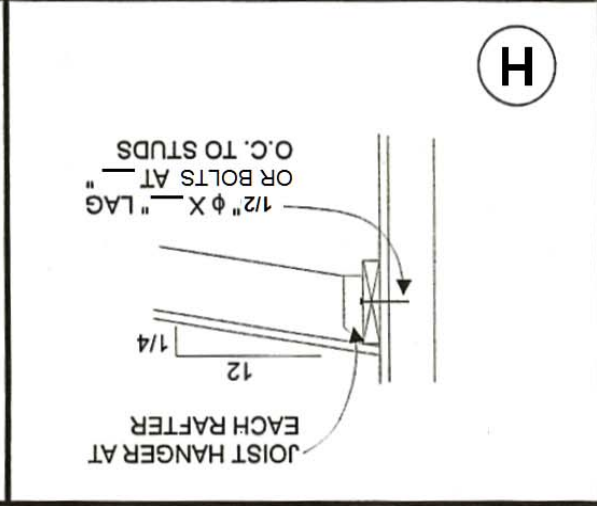
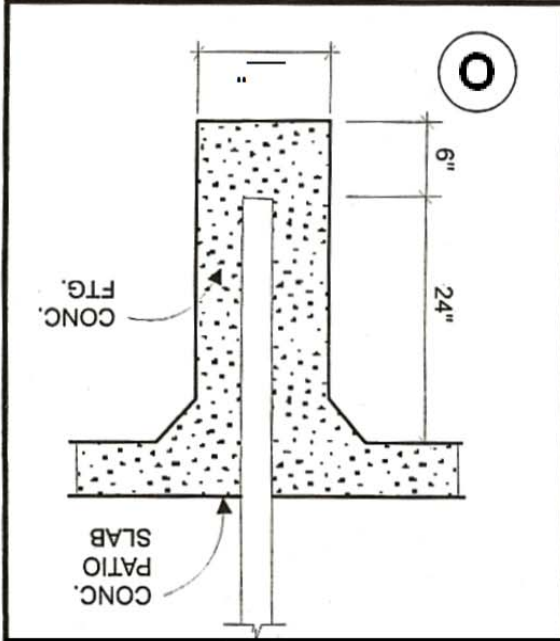
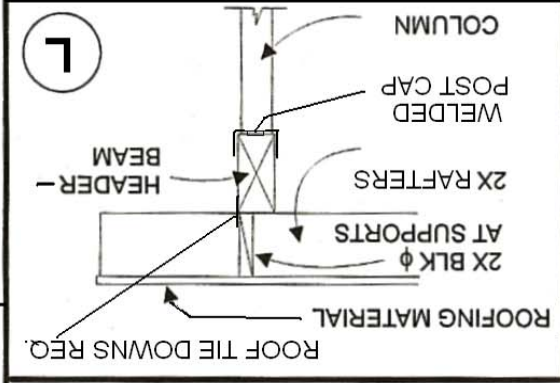
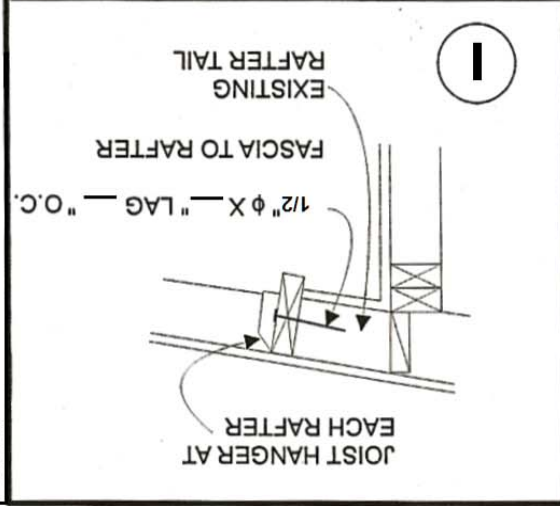
PHONE:

PERMIT NUMBER:

(See more details on page 3)

PATIO & CARPORT DETAILS

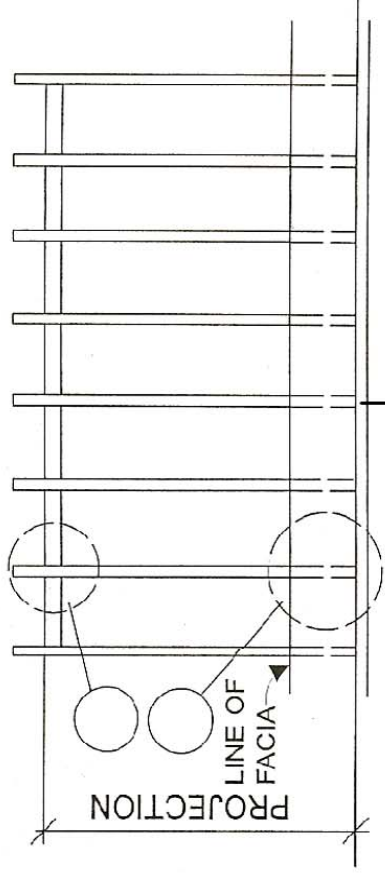
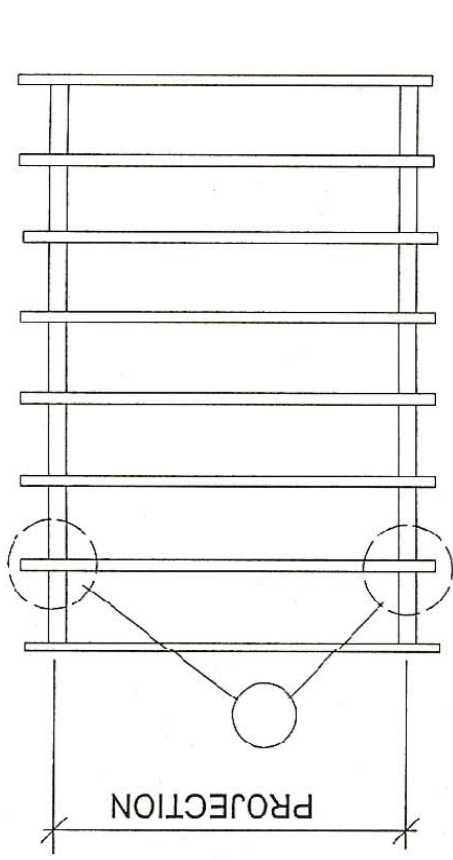
Address: _____
 Date: _____



PATIO & CARPORT DETAILS

FREE STANDING

ATTACHED



FRAMING LAYOUT PLAN

ROOFING MATERIALS: (CHECK ONE)

- 3-PLY BUILT-UP ROOF W/MINERAL CAP SHT. OVER 15# FELT OVER 7/16" OSB, 24/0 SPAN INDEX, WITH 8d NAILS AT 6" O.C. EDGES AND 12" O.C. FIELD.
- MIN. GA. CORRUGATED PAINTED ROOFING OVER 7/16" OSB, 24/0 SPAN INDEX, WITH 8d NAILS AT 6" O.C. EDGES AND 12" O.C. FIELD.
- INTERLOCKING PAINTED STEEL PANELS, GA. THICKNESS, WITH MAX. SPAN DISTANCE AND ATTACHMENT PER MANUFACTURER ENGINEERING DATA.

NOTES:

1. STRUCTURES THAT ARE FREE STANDING OR EXTENDED OUT FROM ADJACENT BUILDINGS \geq 75% OF THE WIDTH SHALL BE CONSTRUCTED WITH COLUMNS ANCHORED IN CONCRETE (PER DETAIL O) OR ADEQUATELY BRACED WOOD CONSTRUCTION (PER DETAIL K).
2. SEWER LINES UNDER STRUCTURE MUST BE CAST IRON OR PVC SCHEDULE 40
3. POWER LINES TO BE 3'-0" ABOVE WOOD ROOF AND 8'-0" ABOVE METAL ROOF.

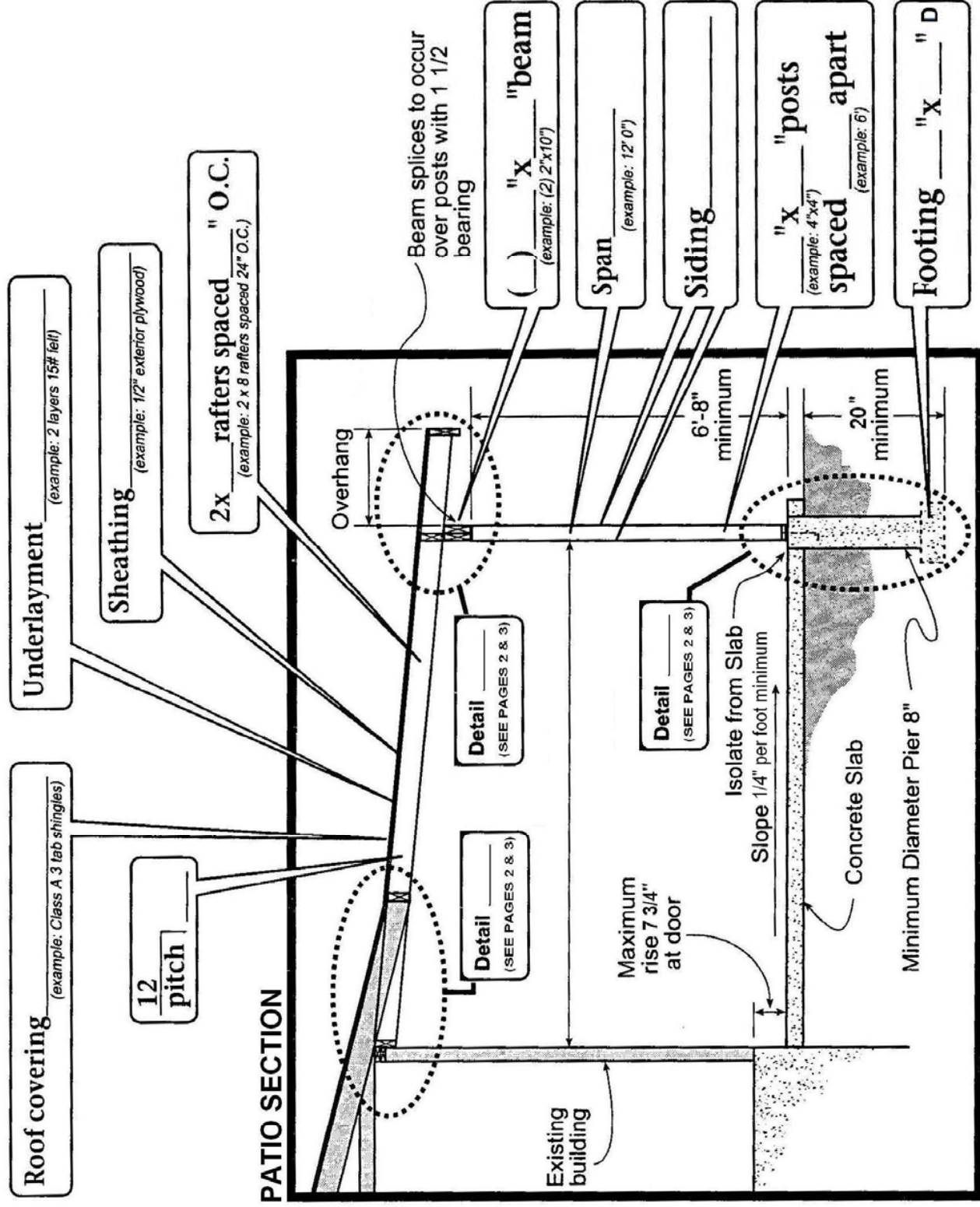
PROJECT ADDRESS: _____

DATE: _____

Single Family Residential Patio Covers & Carports

Directions

1. Fill in the blanks with dimensions and materials which will be used to build the structure. Please print legibly.
2. Indicate in the check boxes which details from pages 2 & 3 will be used. Please note if any of the sides of your carport addition are closer than 10' to the property line. You must keep at least two sides of the carport open to conform to the building code requirements. Zoning approval is required.
3. Roofing to be installed per manufacturer's instructions, including low slope application and required inspections made.



NAME:

ADDRESS:

PHONE:

PERMIT NUMBER: