

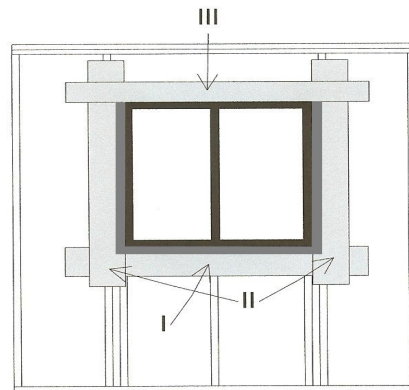
New Construction Window and Flashing Detail Use 8" Wide Flashing

STEP I: PRIOR TO INSTALLING OVER WALL SHEATHING. ATTACH 8" WIDE APPROVED FLASHING ALONG THE BOTTOM OF WINDOW OPENING, EXTEND 12" PAST EACH SIDE.

STEP II - ATTACH 8" WIDE APPROVED FLASHING ALONG THE SIDES OF WINDOW OPENING, EXTEND 12" PAST TOP AND BOTTOM.

STEP III - CAULK AROUND WINDOW OPENING SO THAT WINDOW FLANGES WILL COVER CAULKING. INSTALL WINDOW. ATTACH 4" WIDE FLASHING STRIP OVER TOP OF WINDOW, COVERING TOP FLANGE AND EXTENDING 2" ABOVE WINDOW FLANGE. FLASHING MUST EXTEND 12" BEYOND EACH SIDE OF WINDOW.

STEP IV - INSTALL A SHEET OF REQUIRED MOISTURE BARRIER, FROM BOTTOM OF WINDOW FLANGE TO 1/2" BELOW BOTTOM PLATE, IT IS TO BE WIDE ENOUGH TO EXTEND 12" PAST BOTH SIDES OF THE WINDOW. THE MOISTURE BARRIER IS TO GO UNDERNEATH THE WINDOW FLASHINGS.



Install caulking between back of window flange and window flashing.