

BUILDING GUIDE

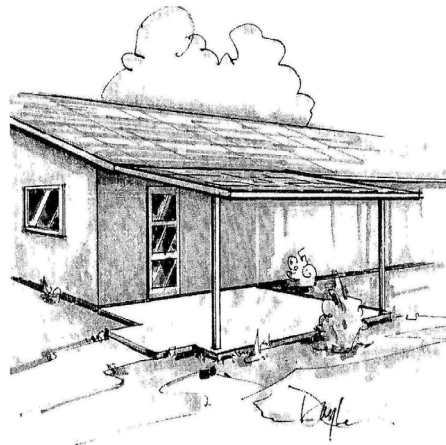
SINGLE FAMILY RESIDENTIAL PATIO COVERS & CARPORTS

HOW TO USE THIS GUIDE:

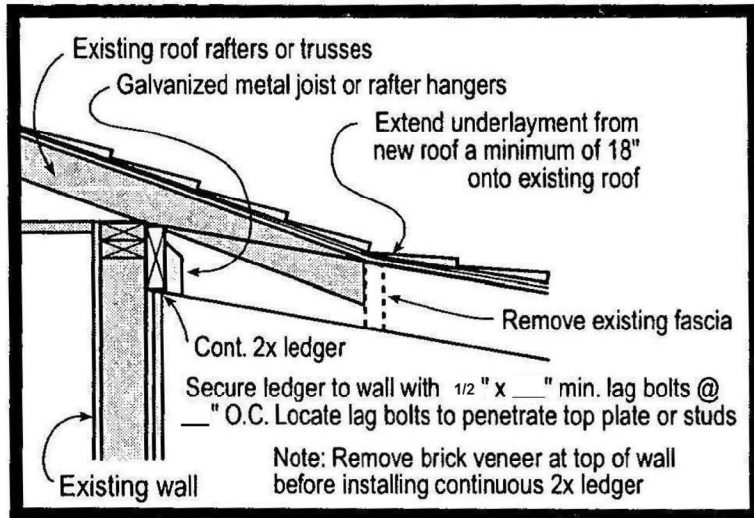
PROVIDE THE REQUIRED DOCUMENTS AND COMPLETE THE FOLLOWING.

1. **Complete this Building Guide**, by filling in the blanks and indicating which construction details will be used.
2. **Provide a Plot Plan**, must be stamped by a licensed surveyor and 5 years or less old in the Village limits in most cases.
 - a. Show all buildings (proposed and existing) and sizes.
 - b. Show well and septic system with distances to structure and distance apart. (If applicable)
 - c. Streets and setbacks to all property lines
 - d. On new foundations, **show drainage away from structure; provide 6" of slope for the first 10' away from structure. Control drainage to an approved location and provide erosion control prior to final approval.**
 - e. List Flood Zone (show where even if only on part of property)
3. **Provide Floorplan**, draw to scale.
4. **Include a Completed Permit Application**, the majority of permit applications are processed with little delay. The submitted documents will help determine if the project is in compliance with building safety codes, zoning ordinances, and other applicable laws.

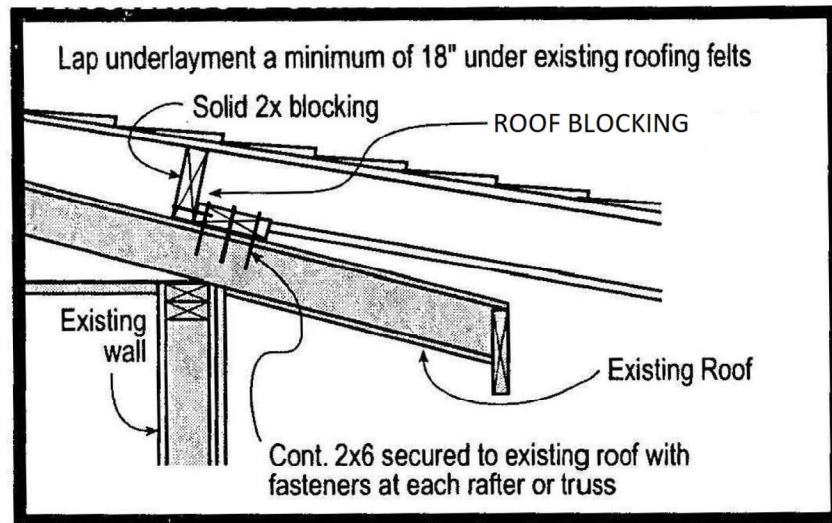
NAME: _____
ADDRESS: _____
PHONE NUMBER: _____
PERMIT NUMBER: _____
DATE: _____



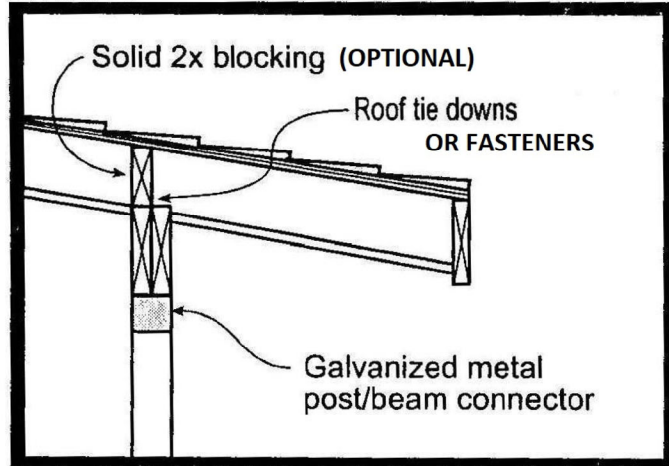
DETAIL A



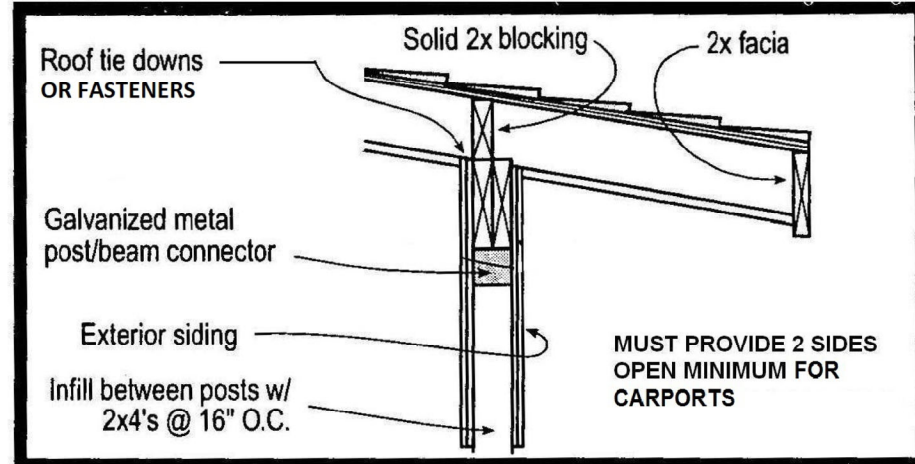
DETAIL B



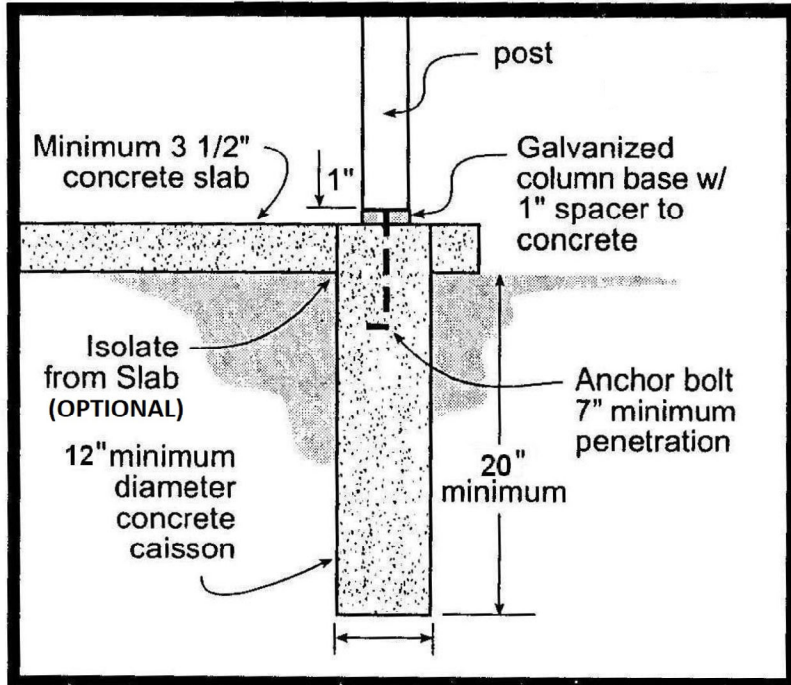
DETAIL C



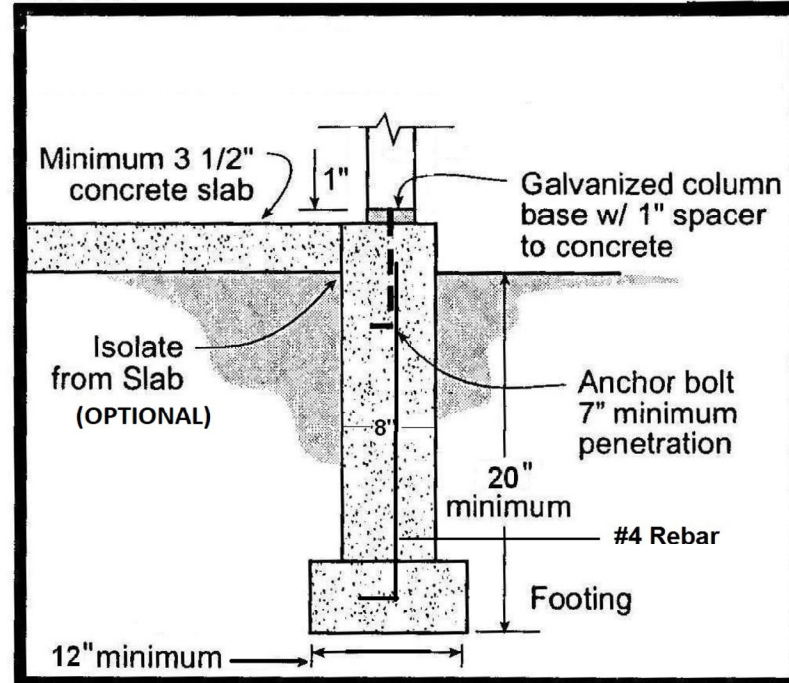
DETAIL D



DETAIL E



DETAIL F



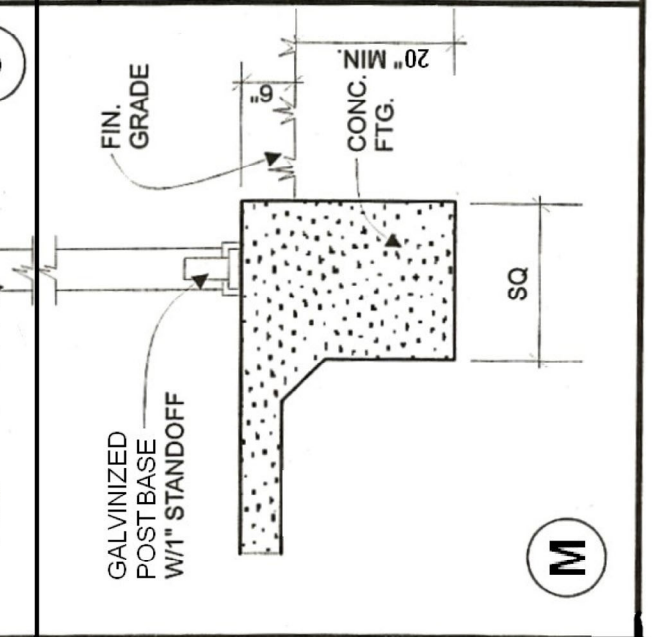
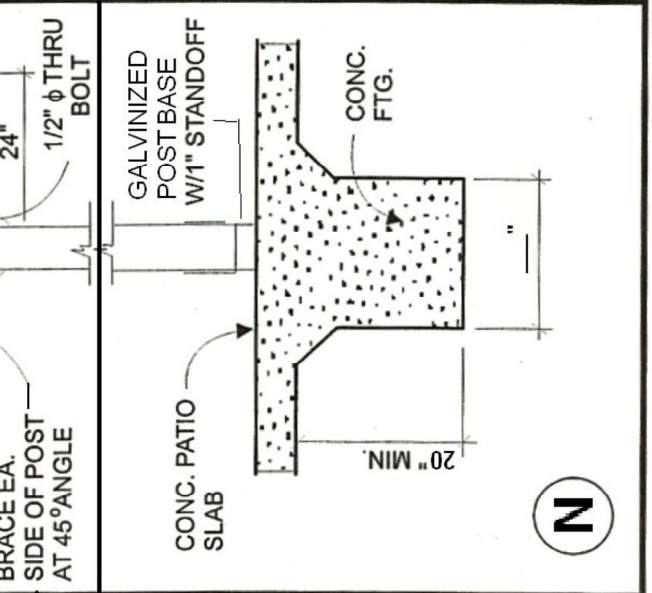
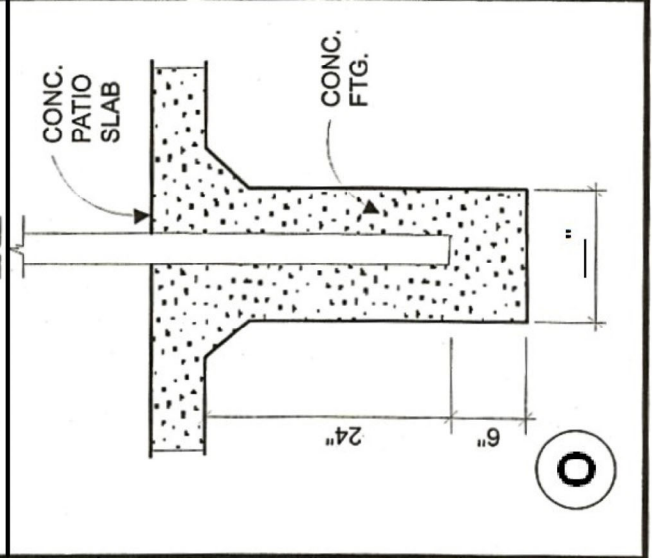
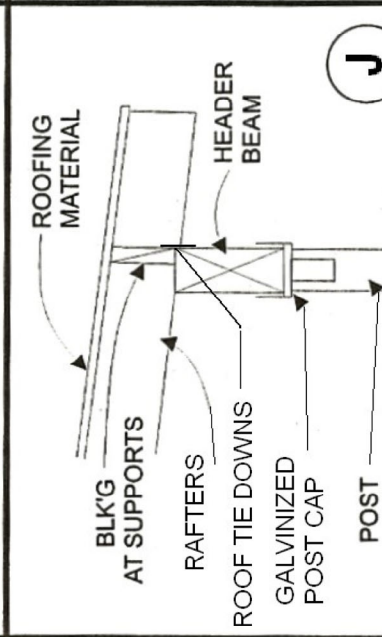
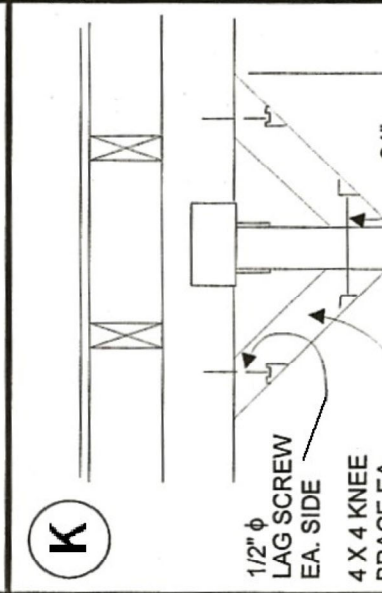
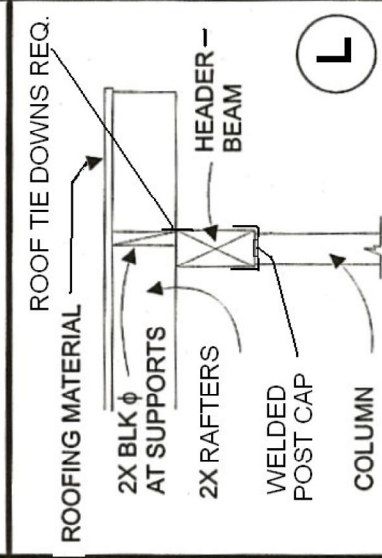
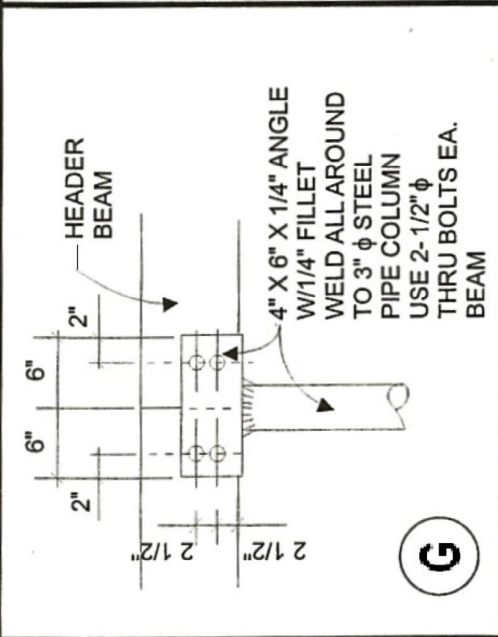
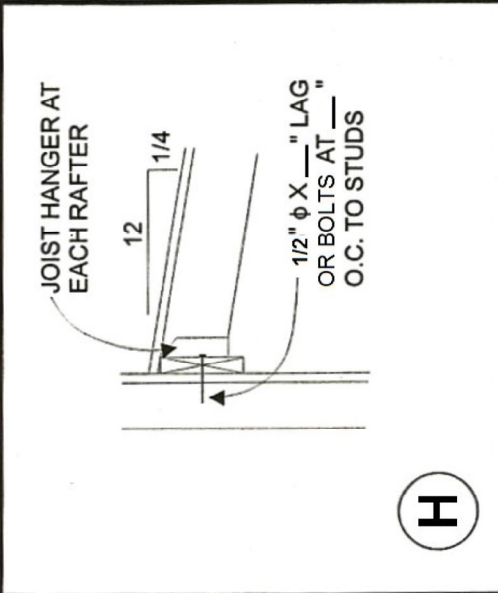
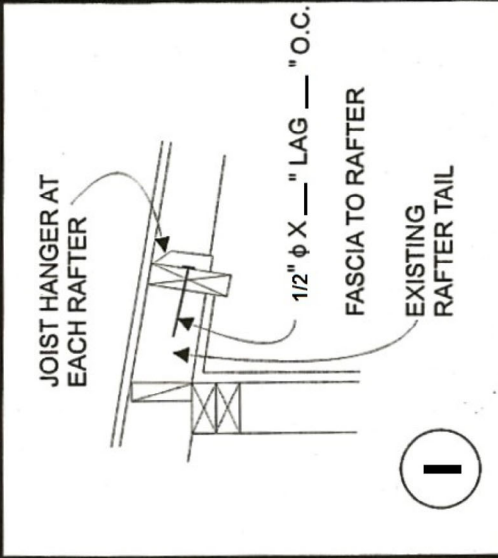
NAME: _____
 ADDRESS: _____
 PHONE: _____
 PERMIT NUMBER: _____

(See more details on page 3)

PERMIT NUMBER:

Address:

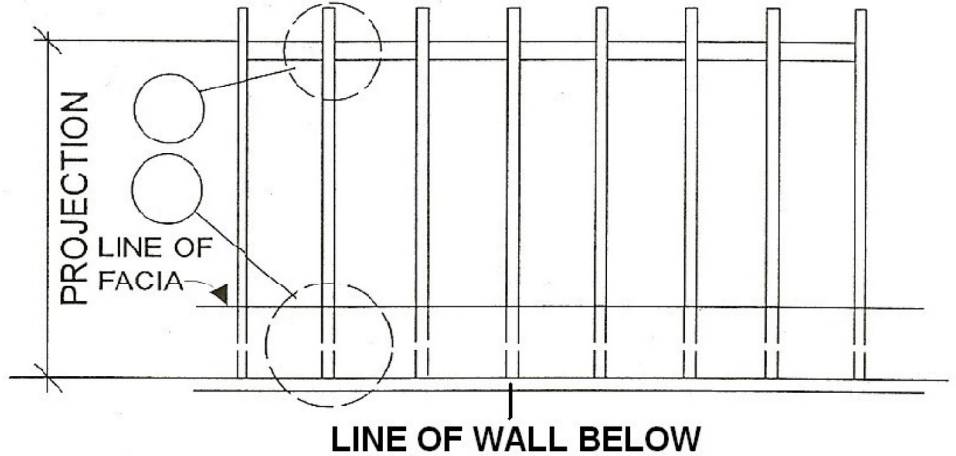
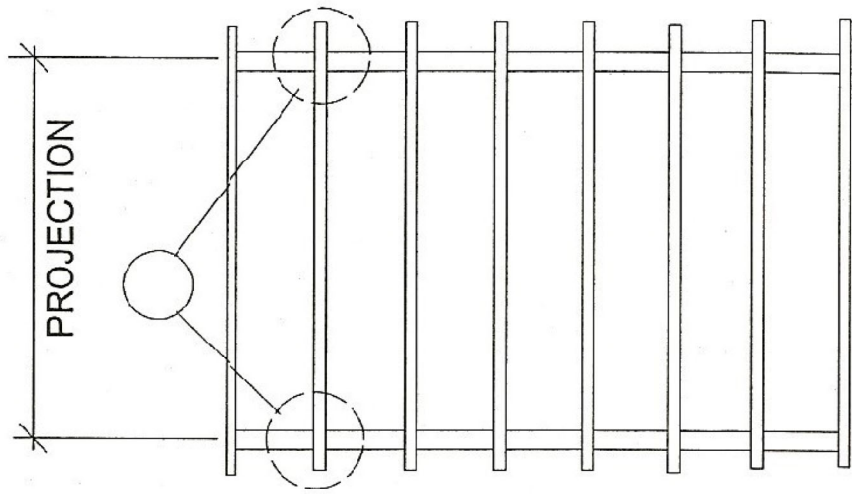
Date:



FREE STANDING

ATTACHED

Note: Structures shall not be supported or structurally attached to manufactured structures without an approved NM Design Professional design and stamped plans.



FRAMING LAYOUT PLAN

ROOFING MATERIALS: (CHECK ONE)

- 3-PLY BUILT-UP ROOF W/MINERAL CAP SHT. OVER 15# FELT OVER 7/16" OSB, 24/0 SPAN INDEX, WITH 8d NAILS AT 6" O.C. EDGES AND 12" O.C. FIELD.
- MIN. ___ GA. CORRUGATED PAINTED ROOFING OVER 7/16" OSB, 24/0 SPAN INDEX, WITH 8d NAILS AT 6" O.C. EDGES AND 12" O.C. FIELD.
- INTERLOCKING PAINTED STEEL PANELS, ___ GA. THICKNESS, WITH ___ MAX. SPAN DISTANCE AND ATTACHMENT PER MANUFACTURER ENGINEERING. DATA.

NOTES:

- STRUCTURES THAT ARE FREE STANDING OR EXTENDED OUT FROM ADJACENT BUILDINGS \geq 75% OF THE WIDTH SHALL BE CONSTRUCTED WITH COLUMNS ANCHORED IN CONCRETE (PER DETAIL O) OR ADEQUATELY BRACED WOOD CONSTRUCTION (PER DETAIL K).
- SEWER LINES UNDER STRUCTURE MUST BE CAST IRON OR PVC SCHEDULE 40
- POWER LINES TO BE 3'-0" ABOVE WOOD ROOF AND 8'-0" ABOVE METAL ROOF.

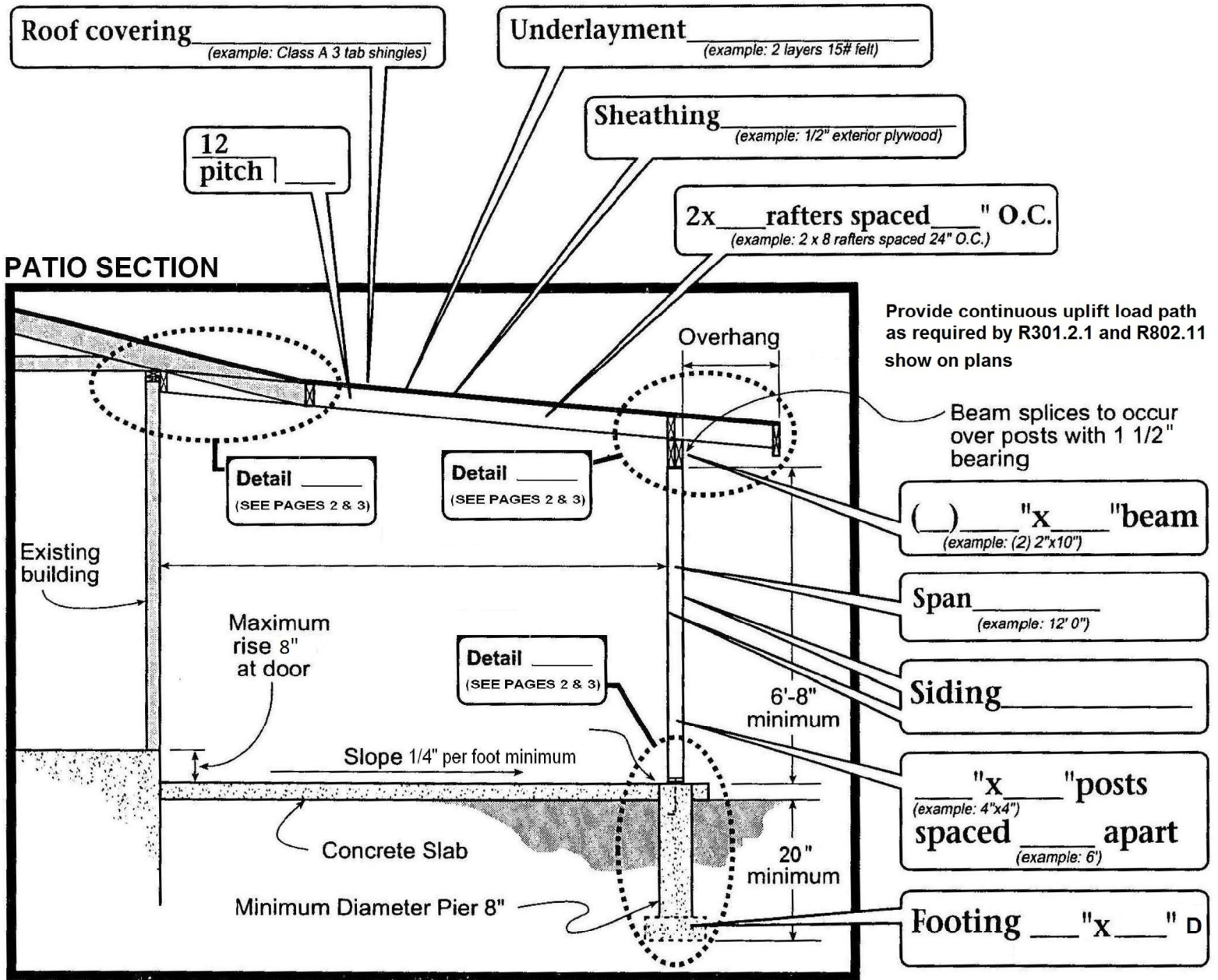
PROJECT ADDRESS:

DATE:

Single Family Residential Patio Covers & Carports

Directions

1. Fill in the blanks with dimensions and materials which will be used to build the structure. Please print legibly.
2. Indicate in the check boxes which details from pages 2 & 3 will be used. Please note if any of the sides of your carport addition are closer than 15' to the property line. You must keep at least two sides of the carport open to conform to the building code requirements. Zoning approval is required.
3. Roofing to be installed per manufacturer's instructions, including low slope application and required inspections made.



NAME: _____

ADDRESS: _____

PHONE: _____

PERMIT NUMBER: _____
